



# Hach<sup>®</sup> Standard Water Panels

## Hach Standard Panel Solutions

- **Peace of Mind:** Hach's Standard Panels minimize the risk of wrong installations by offering a fully assembled panel.
- **Up and Running in No Time:** Ready to install, the pre-engineered design secures optimized measurement conditions for the operator and minimizes time to teach and learn.
- **Reliable:** The desired sample flow guarantees reliable and stable results.
- **Quality from Start to Finish:** The panels are manufactured locally in Victoria, Australia, which means a high-quality product and services from a single source.

Scan The  
QR Code To Get In  
Touch With Our  
Team of Experts:



Contact Us For More Information  
AU: 1300 887 735 | [www.au.hach.com](http://www.au.hach.com)



Be Right<sup>™</sup>

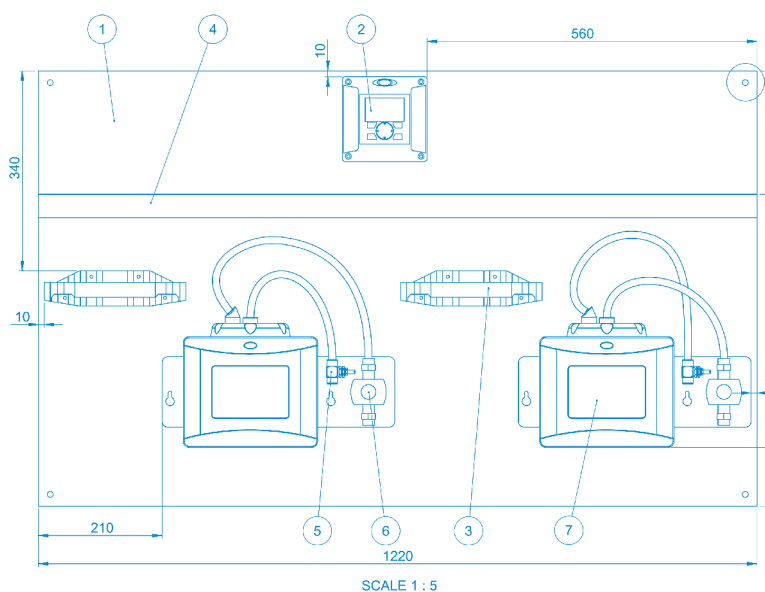
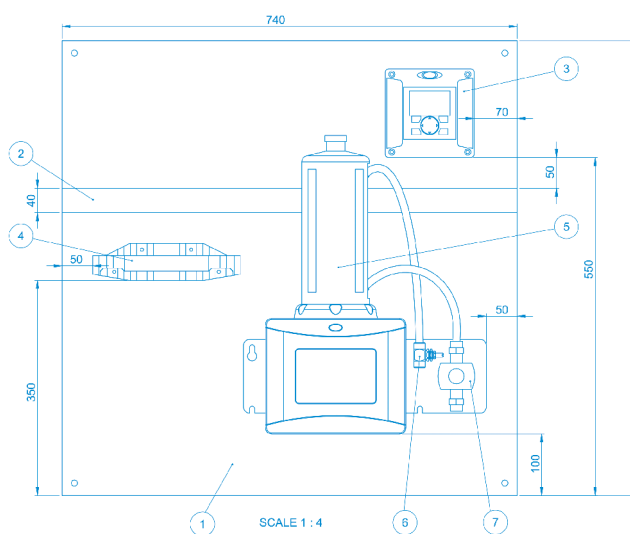
Email: [sales@hachpacific.com](mailto:sales@hachpacific.com)

# Standard Wet Racks – Single Panels for Turbidity Solutions

The single panels for turbidity solutions are available in various configurations, with an option of either galvanised steel or a stainless steel enclosure.

## Options Available

Product No.	Description
DAL-P1	Single TU5 without ACM
DAL-P1.1	Single TU5 with ACM + sc200 controller
DAL-P1.1-1	Single TU5 with ACM + sc200 controller, including solid pipework, rotameter, and isolation valves
DAL-P1.1-2	Single TU5 with ACM + sc200 controller, including debubbler and tubing
DAL-P1-1	Single TU5 without ACM, including solid pipework, rotameter, and isolation valves
DAL-P1-2	Single TU5 without ACM, including debubbler and tubing
DAL-P2	Double TU5 without ACM + sc200 controller
DAL-P2.1	Double TU5 with ACM + sc200 controller
DAL-P2.1-1	Double TU5 with ACM + sc200 controller, including solid pipework, rotameter, and isolation valves
DAL-P2-1	Double TU5 without ACM, including solid pipework, rotameter, and isolation valves
DAL-P3	Single Ultraturb Panel + sc200 controller, without an enclosure
DAL-P3,En	Single Ultraturb Panel + sc200 controller, with galvanised steel enclosure
DAL-P3,En-SS	Single Ultraturb Panel + sc200 controller, with stainless steel enclosure
DAL-P3,Suez	Single Ultraturb Panel + sc200 controller, without enclosure (designed for Suez)
DAL-P4	Double Ultraturb Panel + sc200 controller, without an enclosure
DAL-P4,En	Double Ultraturb Panel + sc200 controller, with galvanised steel enclosure
DAL-P4,En-SS	Double Ultraturb Panel + sc200 controller, with stainless steel enclosure
DAL-P14	Single Ultraturb + Differential pH (on union flow tee)
DAL-P15	Triple Ultraturb + provision to mount up to 3 x sc200 controllers



## Standard Wet Racks – Combo Panels for Treated Water and Drinking Water Applications

The combo panels for treated water and drinking water applications are available in various configurations, with an option of either galvanised steel or a stainless steel enclosure.

### Options Available

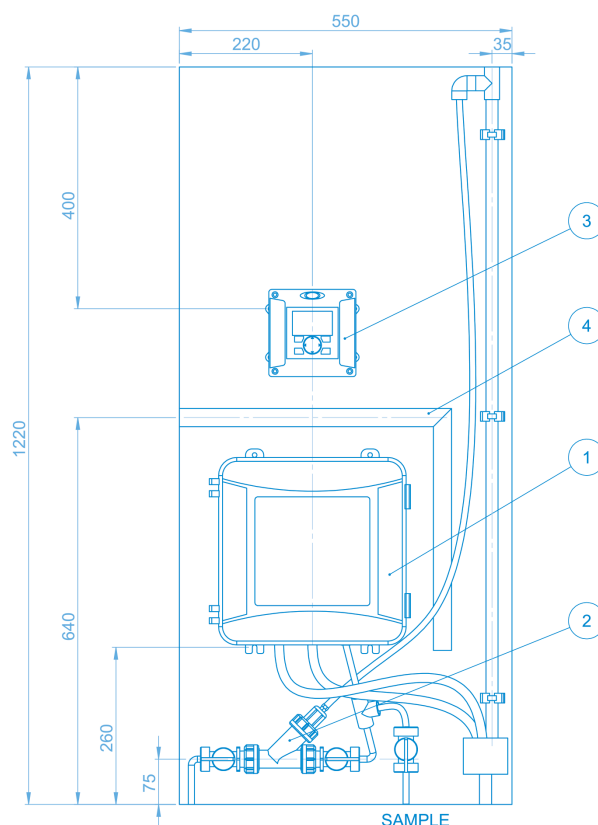
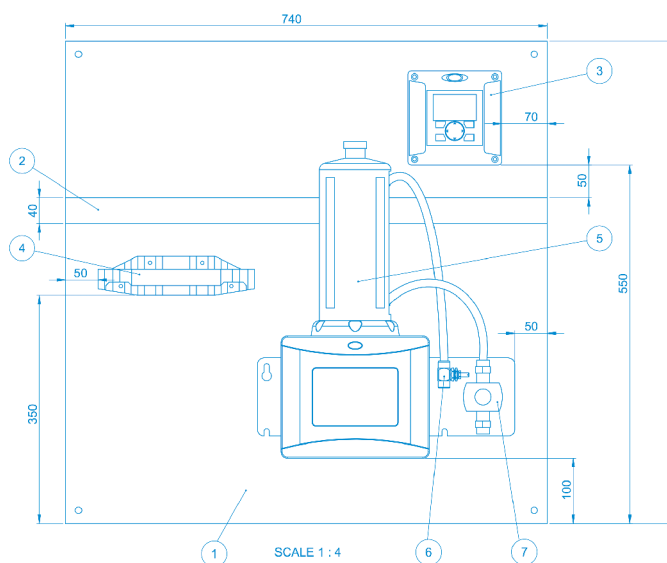
Product No.	Description
DAL-P5	TU5 + CL10 combo without ACM + sc200 controller
DAL-P5.1	TU5 + CL10 combo with ACM + sc200 controller

## Standard Wet Racks – Panels for Disinfection Solutions

These panels are for disinfection solutions and are available in various configurations, with an option of either galvanised steel or a stainless steel enclosure.

### Options Available

Product No.	Description
DAL-P10	Single CL17sc Panel with Standpipe (Pipe Drain), without an enclosure
DAL-P11	Double CL17sc Panel with Standpipe (Pipe Drain), without an enclosure
DAL-P19	Single CL17sc Panel with Standpipe + pH/ORP/Cond. Conductivity Flow Cell (+PVC Drain Trough), without an enclosure
DAL-P20	Single CL10 Panel + sc200 controller



## Standard Wet Racks – Panels for e-Chem Solutions

These panels are for e-Chem solutions and are available in various configurations, with an option of either galvanised steel or a stainless steel enclosure.

### Options Available

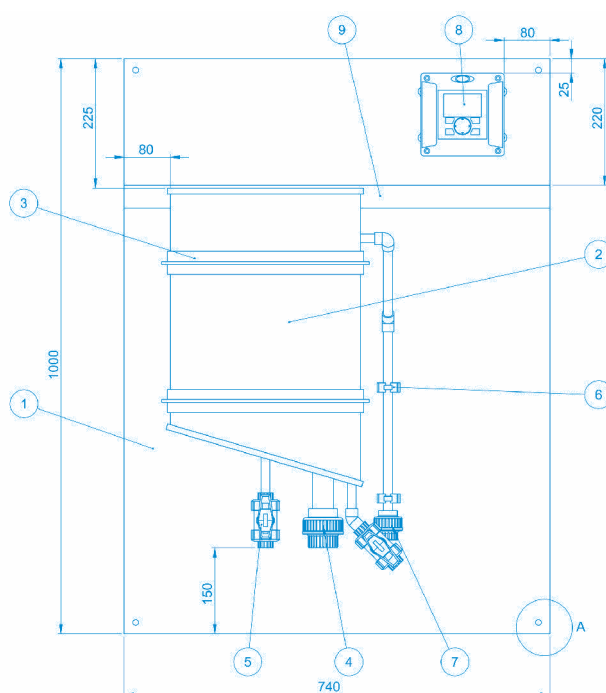
Product No.	Description
DAL-P7	Single Differential pH/ORP + 3433 Conductivity Sensors (on Union Flow Tees)
DAL-P8	Dual Differential pH/ORP + Conductivity Sensors (on Flow Cells/Tees)- TBC
DAL-P9	Single Differential pH/ORP OR Conductivity Sensor (on Flow Cells)
DAL-P16	Single Differential pH/ORP + Conductivity Sensors (on Flow Cells)
DAL-P17	Single Differential pH/ORP OR 3700 Conductivity Sensor (on Union Flow Tee)
DAL-P18	Single 3433 Conductivity Sensor (on Union Flow Tee)

## Standard Wet Racks – Panels for Nitratax/ Solitax /UVAS

These panels are for Nitratax/ Solitax /UVAS solutions and are available in various configurations. With an option of either galvanised steel or a stainless-steel enclosure.

### Options Available

Product No.	Description
DAL-P6	Solitax/UVAS/Nitratax (Single sensor on a single PVC Drum) + sc200 controller
DAL-P6-1	Solitax/UVAS/Nitratax (Dual sensor on a single PVC Drum) + sc200 controller
DAL-P6.1	Solitax/UVAS/Nitratax (Single sensor on a single SS Drum) + sc200 controller
DAL-P6.1-1	Solitax/UVAS/Nitratax (Dual sensor on a single SS Drum) + sc200 controller



Scan The  
QR Code To Get In  
Touch With Our  
Team of Experts:



Contact Us For More Information  
AU: 1300 887 735 | [www.au.hach.com](http://www.au.hach.com)



Be Right™

Email: [sales@hachpacific.com](mailto:sales@hachpacific.com)